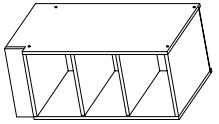
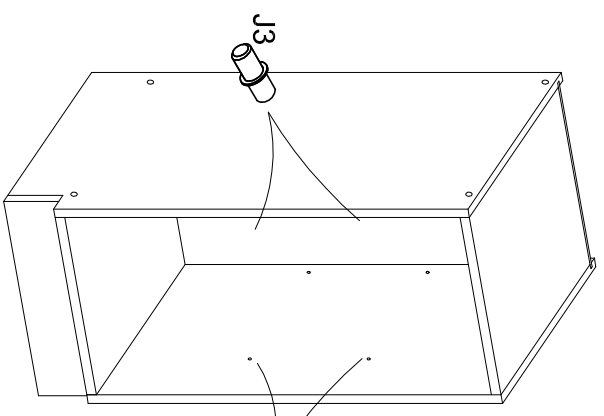
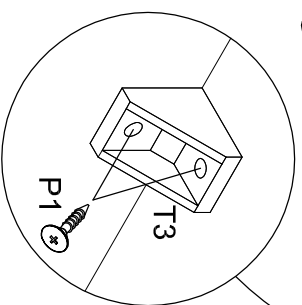
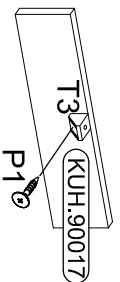
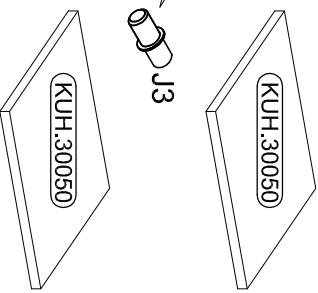
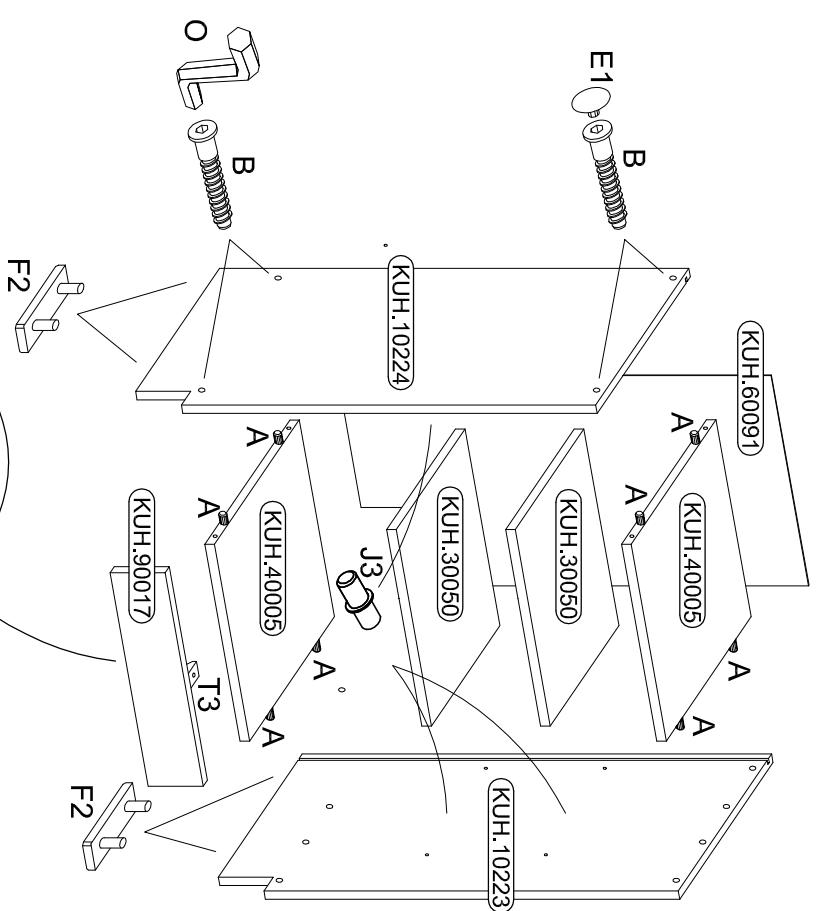
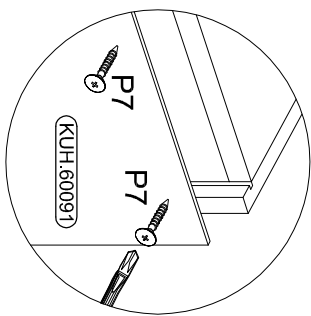
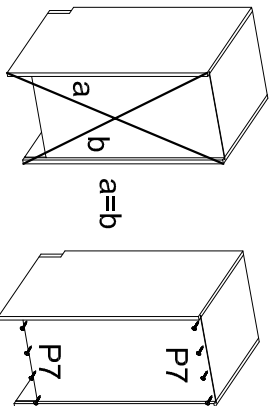


# 30 D OTW BB



8	B	8	E1	8	A	1	O	Ø3,0x20mm 6-10	P7	8	J3	Ø4,0x16mm 2	P1	1	T3	4	F2
---	---	---	----	---	---	---	---	-------------------	----	---	----	----------------	----	---	----	---	----



ISM-KUH-00901

